

WN168 Winston Cottage Assembly Instructions

© 1998 Dura-Craft, Inc.

Building a doll house is fun! How long it takes you to build the Winston Cottage will depend on who you are and what a "finished" doll house means to you. If you are simply looking for an unpainted structure that your little girl can enjoy, this kit will go together fast. However, if you want a show piece with paint, wallpaper, electric lights, etc., then this could take a while. Some of you will blast through this project in short order, but the rest of us will enjoy dawdling along and admiring our work as we go.

However you choose to approach your building project, it will behoove you to stick closely to the step by step instructions.

Save the box. The picture will be a good reference for what your kit should look like. You will note, though, that some small adjustments have been made since the box photo was taken. These are the result of improvements made after the prototype models were constructed. I will try to keep you informed of any changes as we go along.

Don't get ahead. The order of events is important.

Release the parts gently. Parts in the 1/8 inch luan plywood boards must be removed by exerting gentle pressure. A few will require that you cut them loose with your knife.

Cut from the front side of the board (the side with the most visible cut marks) and please be careful.

Glue. Everyone has a favorite kind of glue. Most glues work fine if they are recommended for woodworking or porous materials. I like to use a yellow woodworking glue on the main structure of the house and a "tacky" craft glue on the trim pieces.

Dry fit each piece before gluing. This will ensure that you have the right piece for the right place and that you will make sensible judgments about where to put the glue.

Replacement parts. Dura-Craft, Inc. has gone to great lengths to grade and sort pieces for quality and workmanship. We think you will be pleased. However, if you discover a faulty, missing, or damaged part, Dura-Craft, Inc. will quickly replace it. We have included a "Missing and Broken Parts Replacement Form" to assist you.

Drawings. The progressive construction pictures in this instruction booklet are *not* photographs. They are 3D drawings constructed piece by piece on a computer. As a matter of convenience,

some of the detail has been deliberately left out of the drawings. This won't be a problem if you keep in mind that the drawings are designed to give you the "big picture" and should not be subjected to undo analysis. I am of the opinion that you can keep track of little things like making sure that the siding is on the *outside* of the house.

Painting. You should keep in mind that these instructions are designed to help you construct the basic house kit. If it is your intention to paint, wall paper, etc., you will need to make your own reasonable judgments about when these procedures will best be performed. Remember that I don't know whether you are going to use electrical wiring under your wallpaper (for example), or what kind of wiring procedure you intend to use. If I included all possible scenarios in these instructions, they would become massive, cumbersome, and unwieldy.

However, as a general rule, if you are not electrifying your doll house, it is much easier to paint and/or wallpaper as you go along. Because glue holds best when paint is not involved, I have found it best to build the basic shell of the house before starting to paint.

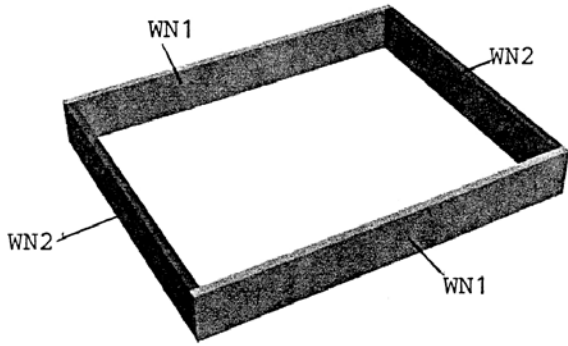
Best results can be obtained by using a good sealer before applying paint. Latex paint is preferred.

OK, let's get started!

A. Foundation

1. Locate the four Foundation pieces. Glue the foundation together as shown. The two long pieces are front and back. The two short pieces fit between the front and back pieces. Final width should be 16". If it is 16-3/8" or 16-

3/4", you do not have the side pieces properly oriented to the front and back pieces.



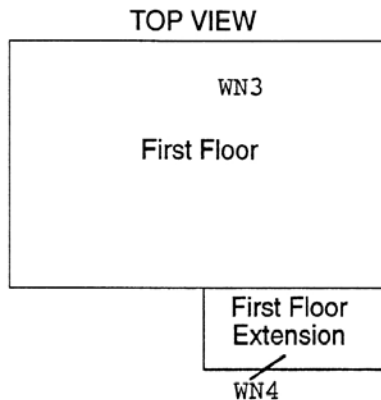
TIP: A good carpenter rarely relies on gravity or friction to produce a suitable bond between pieces. To force a tight fit while glue dries, use clamps, tape, or brads. Because it is quick and easy, I prefer masking tape. Wipe away excess glue while it is still wet.

2. Use a carpenter's square (preferred) or a sheet of typing paper (hokey, but cheap and effective) to make sure that the foundation is square. Perfection is not required because the next step will remove any slight error.

TIP: This entire building can be put together in a hurry if you use glue and tape strategically, allowing the tape to do the work until the glue dries. However, if you are in less of a hurry, there are some advantages to allowing the glue to dry before proceeding to the next step (except where indicated otherwise.) I recommend the "let it dry method" unless you have a deadline that cannot be extended.

B. First Floor

1. Locate the two pieces of the first floor (First Floor & First Floor Extension). These pieces are made of MDF (medium density fiberboard) which is the same on both sides. Consequently, you don't have to worry about which side is up if the piece is rectangular or symmetrical. Later, we will have some pieces that are asymmetrical and I will be sure to let you know which side is which.



the First Floor as shown. The extension should be flush to

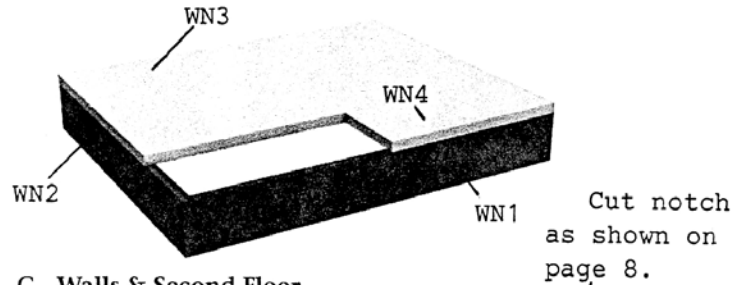
TIP: Some pieces may look a lot like other pieces. It is a good idea to measure each piece and compare it to the parts list in order that you not glue the wrong piece in the right spot.

2. Edge glue the First Floor Extension to the front edge of

the right edge of the First Floor. Tape or clamp the two pieces together until glue is dry.

3. While you are at it, you might as well repeat the above procedure for the Second Floor and Second Floor Extension so it will be dry when you need it. Be sure that the stairwell hole is six inches from the left when viewed from the top, front.

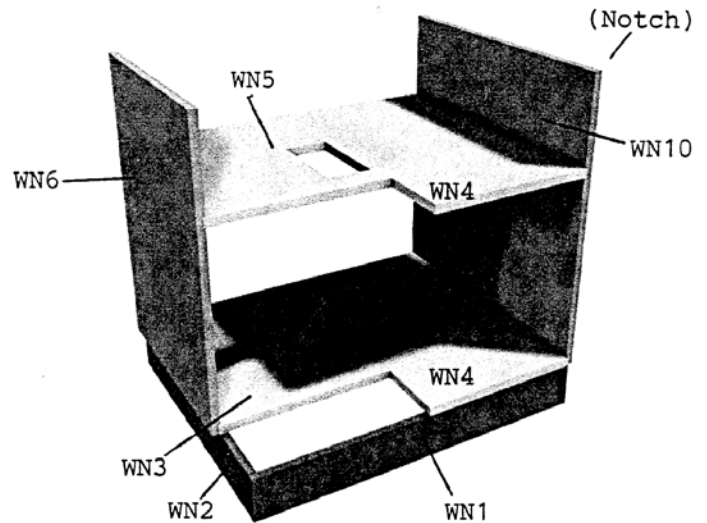
4. Glue the first floor assembly to the top edge of the foundation. Outside edges will be flush except at the front left corner where the foundation and first floor go separate directions.



C. Walls & Second Floor

1. Find the Left Side Wall and Right Side Wall. Glue the second floor assembly into the dados (grooves) that run through the middle of the two walls. The back edge of the second floor should be flush with the back edge of the two walls (The front edge will not be flush. This is correct, so don't try to figure out a way to get both back and front flush. It can't be done.) See Fig. 4 for proper orientation of parts. Use tape to secure the assembly.

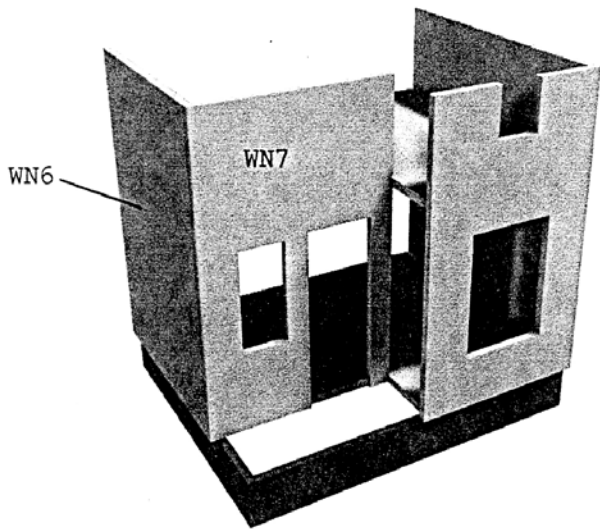
2. While the glue is still wet, glue the assembly to the first floor (flush at the back) and secure it in position.



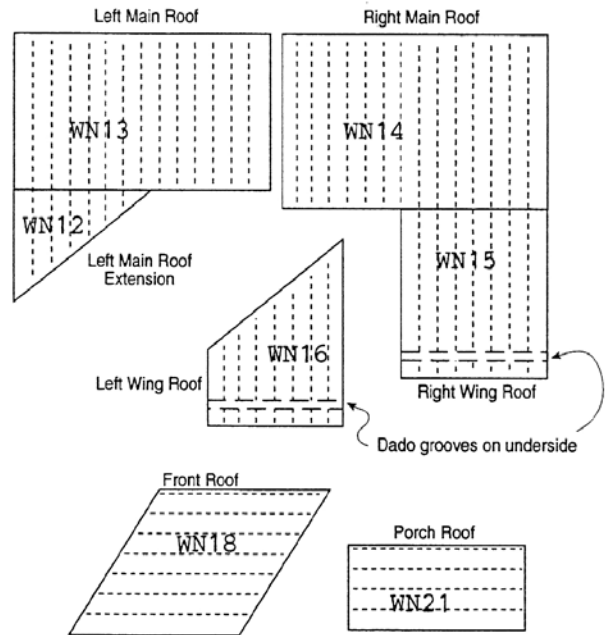
3. Again, while the glue is still wet, locate and position the Front Wall and Front Wing Wall. The grooves will help you orient the walls properly.

4. Find and position the Left Wing Wall. WN8

5. Locate a piece of 1/4" x 3/8" MDF, BL42



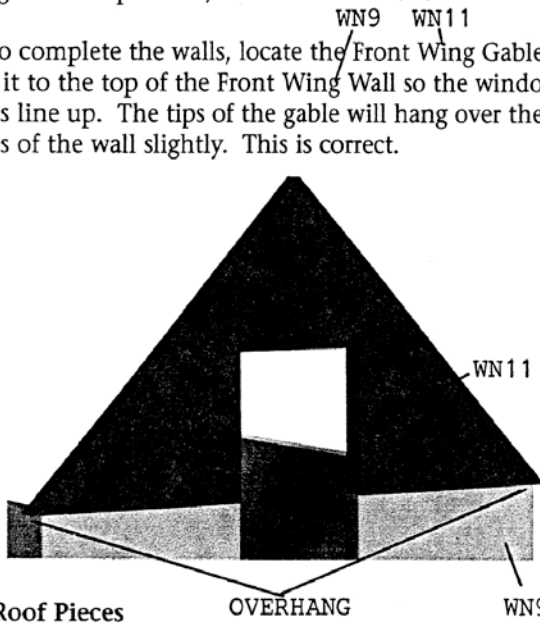
The illustration shows the proper orientation for each roof piece.



46). Fit across the bottom of the doorway. This piece will be glueu horizontally in the doorway, against the front edge of the first floor, and it should be flush with the top of the floor. It will fill the gap between the first floor and the porch floor which will be installed later.

6. Now is the time to make sure everything is properly oriented, that the walls are vertical, that the floors are flush to the back of the walls, and that everything is square and properly secured. If the glue dries while anything is out of position, difficulties will follow.

7. To complete the walls, locate the Front Wing Gable and glue it to the top of the Front Wing Wall so the window edges line up. The tips of the gable will hang over the edges of the wall slightly. This is correct.



D. Roof Pieces

1. First, you will need to mark all roof pieces with pencil lines so you will be able to properly position the shingles when you have your house completed. Start at the bottom edge of each roof piece and measure up 7/8 inch at both the right and left edges. Using a straight edge, mark a horizontal line all the way across the piece. Then repeat the process every 7/8 inch until you reach the top of the piece.

2. Locate the Right Wing Roof and the Right Main Roof. Edge glue the Right Wing Roof to the Right Main Roof. The 6-15/16" edge of the Right Wing Roof glues to the Right Main Roof as shown. The dado (groove) should be down and forward as indicated by the dotted line.

3. Locate the Left Main Roof and the Left Main Roof Extension. Edge glue the extension to the roof as shown. The 6-9/16" edge of the extension glues to the roof.

4. When the glue from steps 1 & 2 above has dried, glue the two assemblies together as shown. above.

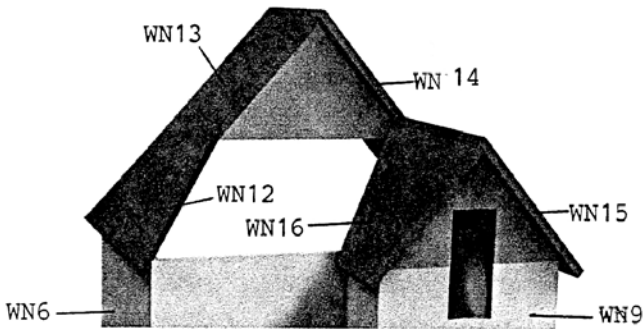
- The back edges of the two main roofs should be flush. The Left Main Roof is 3/4" narrower than the Right Main Roof, so it will fall short at the front edge. This will be fixed later.
- The top edge of the Left Main Roof should glue to the under side of the Right Main Roof.
- The assembly should form a right (90°) angle at the peak.

All of this is done off of the main structure, and is best accomplished if you stand the pieces on their back edges while gluing, clamping, and drying. Use a square if you have one available.

5. Locate the Main Gable and glue it into the angle formed by the two main roof pieces. The front edge of the gable should be flush with the front edge of the Left Main Roof. This means that the Right Main Roof will project forward beyond the gable about 3/4 inch.

6. When the glue is dry from all of the previous steps, glue the Left Wing Roof to the Right Wing Roof. See the illustration for clarification and make sure that you achieve the following.

- The two roofs should be flush at the front edge and the dados on the underside must line up. —WN16
- The top edge of the Left Wing Roof should glue to the under side of the Right Wing Roof. —WN15
- The top edge of the Left Wing Roof will extend underneath the Right Main Roof. —WN14



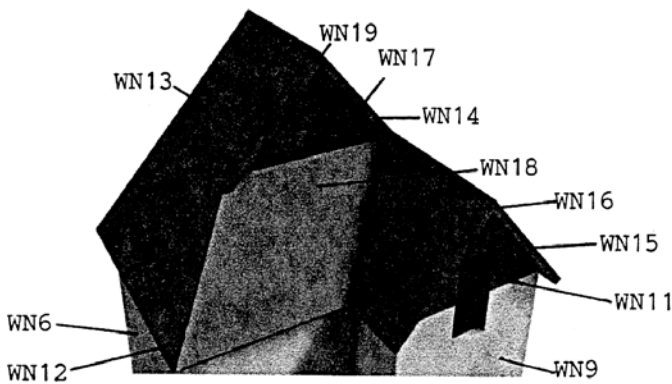
7. When the glue has thoroughly dried, carefully dry fit this entire roof assembly to the house. Use the dados on the under side of the wing roof to line up the roof with the wing gable. When this portion is completely seated in position and fits properly, the rest of the roof should set nicely against the top of the side walls. Roof overhang should be approximately equal on the left and right sides of the house.

If all is well, glue the roof in position.

8. Find the Front Roof. This piece fits between the Left Main Roof Extension and the Left Wing Roof. The beveled edge is down and to the left, and it fits against the Left Main Roof Extension. The Front Roof slopes back to the Main Gable. Dry fit it into position making sure that the two front corners match up to the corners of the other roof pieces.

Depending on how well everything else has gone together for you, this piece may fit perfectly

If it is just a little off, don't sweat it – the roof shingles will cover any small gaps. If it is a lot off, double check the orientation to make sure that you have it right side up and turned properly. When you have a suitable fit, add glue.



9. Find the Left Main Eaves piece. ("Eaves" is a plural noun which has no singular form – no such word as "eave." The Left Main Eaves is only one piece.) Glue it into position against the front edge of the Left Main Roof



as shown.

Corner Trim Pieces

5-8

1. Locate some corner trim molding. Cut pieces to cover each of 5 corners – two back corners, two corners on the front wing, and the front corner where the left side wall meets the front wall. If the corner moldings will be a different color than the walls of the house, paint them now and set them aside until the house has been painted. If they are the same color as the house, glue them in position now.

Tip: This completes the primary structure or "shell" of the house. If you intend to paint and haven't already begun, now is a good time to start painting before we begin adding things that you will have to paint around.

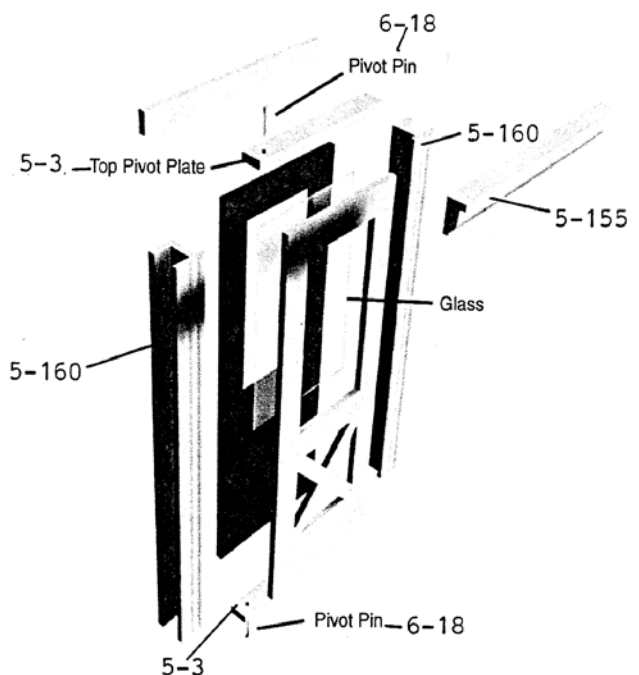
Front Door

WN-A (Page 7)

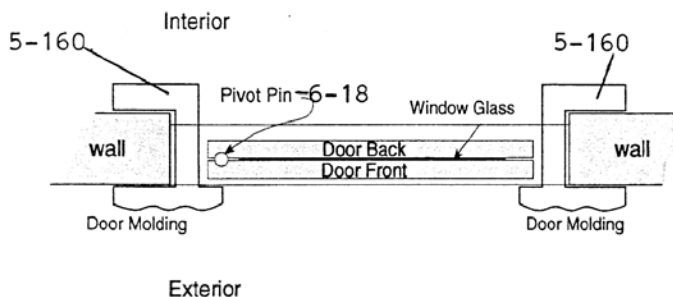
1. Follow the diagram to construct the front door assembly.

Painting will be easiest if accomplished before assembly.

2. Positioning of the Pivot Pin in the Pivot Plate is critical if the door is to work properly. If you have access to a very tiny drill bit, drill before inserting the Pivot Pins. Otherwise, gently push or tap the pins through the Pivot Plates. If you would prefer that the door always remain shut, forget the Pivot Pins altogether and glue the door into position.



TOP VIEW

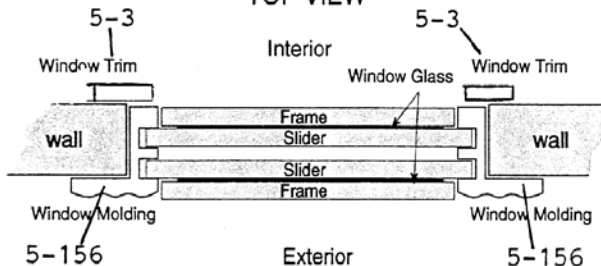


Double Hung Windows

1. Follow the diagram to construct the double hung windows. Start with a piece of universal trim inside the window hole to cover the rough edges at the top and bottom of the window. Side edges will be covered by the window molding. Painting will be easiest if accomplished before assembly.

5-3 WN-A (Page 7)

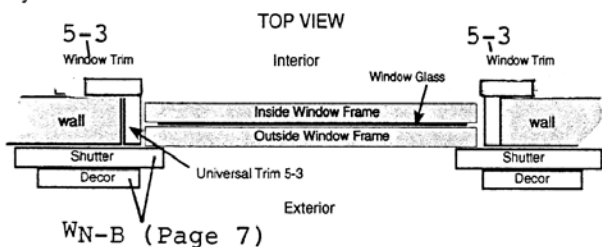
TOP VIEW



2 I am of the opinion that it makes no sense for the top window in a double hung doll house window to be movable. It tends to want to drop down when it shouldn't, and there is very little reason for it to move anyway. We designed it to move so that you would have the option, but there may be some value to gluing it in place and letting the bottom window do the moving. Your choice.

Picture Window

1. Follow the diagram to construct the large window. Start with a piece of universal trim inside the window hole to cover the rough edges all the way around the window. Painting will be easiest if accomplished before assembly.



WN-B (Page 7)

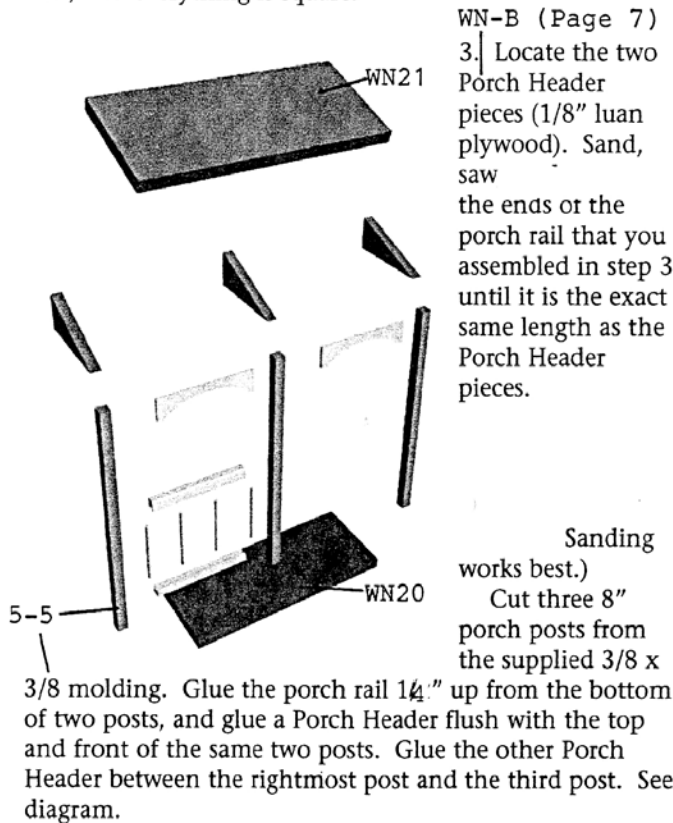
Note: The window in your kit is narrower than the window as seen on the box label. The box label shows an early prototype version which has been changed slightly to

improve design and manufacturing.

Porch

1. Glue the Porch Floor to the foundation. It will fit snugly into the corner formed by the front wall and left wing wall. The floor should hang over the foundation a little on the left and to the front.
2. Porch Rail. Cut a piece of Porch Rail molding 5-71, 7/16" long, and then cut a piece of Small Edge Trim molding (part no. 5-70) the same length.
3. Lay the Porch Rail molding on your work surface with the slot toward you and the Small Edge Trim molding with the slot away from you. Beginning 3/8" from the left edge, put a small pencil mark every 7/8" across both pieces.

Locate four 1/8" x 2" dowel pieces and glue them into the slots at the pencil marks. See illustration. Be sure that the dowels are parallel, the top & bottom rails are parallel, and everything is square.



WN-B (Page 7)

3. Locate the two Porch Header pieces (1/8" luan plywood). Sand the ends of the porch rail that you assembled in step 3 until it is the exact same length as the Porch Header pieces.

Sanding works best.)

Cut three 8" porch posts from the supplied 3/8 x 3/8 molding. Glue the porch rail 1/4" up from the bottom of two posts, and glue a Porch Header flush with the top and front of the same two posts. Glue the other Porch Header between the rightmost post and the third post. See diagram.

Tip: We are about to install this porch on the house. Painting will be easier if you do it before installation.

4. This next part is a little tricky. It has to do with getting everything straight, level, vertical, and horizontal while using only two hands.

Locate the three Porch Roof Supports (MDF).

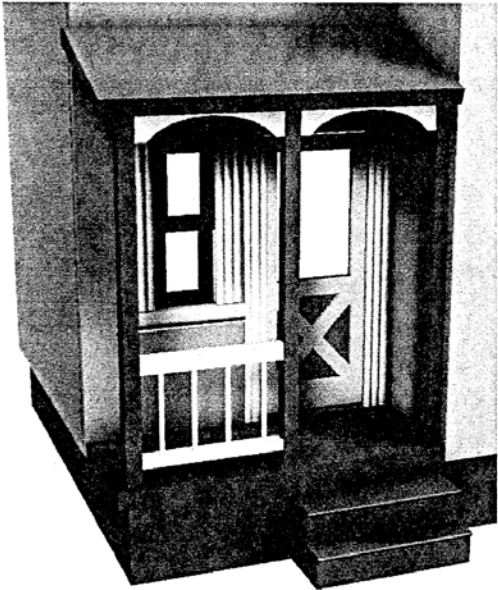
WN22

Stand the porch post assembly that you created in step 4 on the porch floor at the front edge. The right most post will be against the wing wall. Glue a Porch Roof Support—WN22 in position with the front angle setting on top of the right most post and the back edge against the front wall. In the same process, glue the bottoms of the three posts to the porch floor.—WN21

Make sure that the posts are exactly vertical when viewed from the front and side. Also ensure that the bottom edge of the roof support is level. Wipe away excess glue. WN22

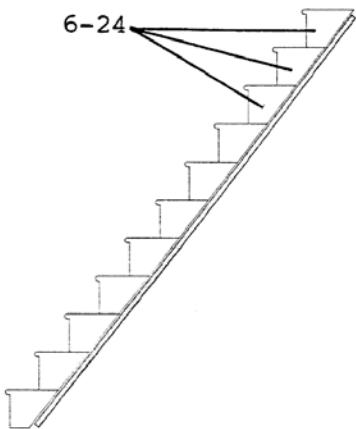
Glue the other two Porch Roof Supports into position on top of the other two posts. WN21 WN22

5. Glue the Porch Roof to the Porch Roof Supports.



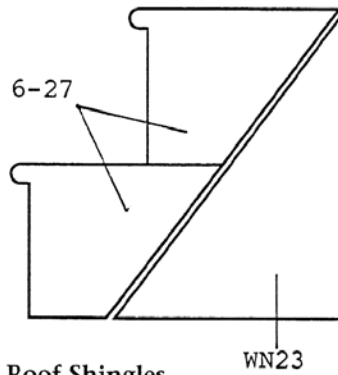
Inside Stairs

1. Locate the Stairs and the Stair Backer. Using the illustration as a guide, begin at the bottom end of the Stair Backer and glue each stair in position until you reach the top. Notice that the first step and last step are approximately 1/8" off the ends of the backer. This makes it possible for these two steps to fit flush against the first floor and second floor without the backer interfering.



2. When the glue from step one is dry, glue the stairway in place with the top step inside the stairwell hole and flush with the top of the second floor.

3. Cover the interior edges of the stairwell hole with universal trim (5-3).



Porch Steps

6-27
1. Locate the two Porch Steps and the Porch Step Supports (MDF)—WN23. Glue this assembly together as shown, and then glue it to the foundation in front of the front door. See box label.

Roof Shingles

1. Remember those lines you drew on the roof parts? Well, now is the time to put them to use. Beginning at the bottom edge of each piece, glue a full row of shingles with the top edge of the shingles on the line. The bottom of the shingle will hang over the bottom edge of the roof. When the bottom row is complete, begin the next row and work your way to the top. Shift each row 1/2 the width of a shingle from the row below so that the cracks between the shingles do not line up over one another. 5-150

2. At straight roof edges, overlap the edge with the shingles. When the glue is very dry, you can easily trim the shingles flush with the roof edge.

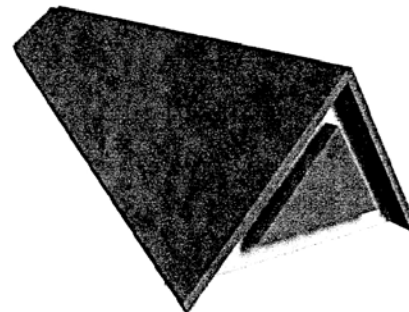
Where roof edges are angled, you will need to cut shingles to fit the angle.

Porch Gable

WN-B (Page 7)

WN-A (Page 7)

1. Locate the Porch Gable Roof (right & left), the Porch Gable, and the Porch Gable Decor. These are all plywood pieces. Assemble as shown. Notice that the Porch Gable is not flush with the edge of the roof, but instead is moved back until the bottom of the gable is flush with the bottom of the roof pieces.



2. The back of the gable roof glues against the front wall. The bottom of the gable sets on the porch roof. The gable stands vertical when the roof is in position above the door. See box photo. WN7 WN21

3. Glue on the Porch Gable Decor.
4. Add shingles to the porch gable roof.

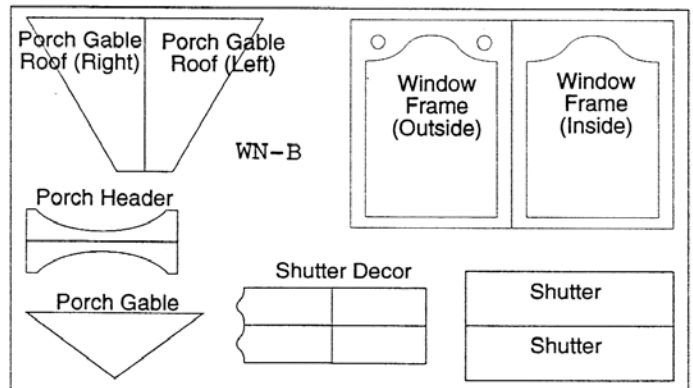
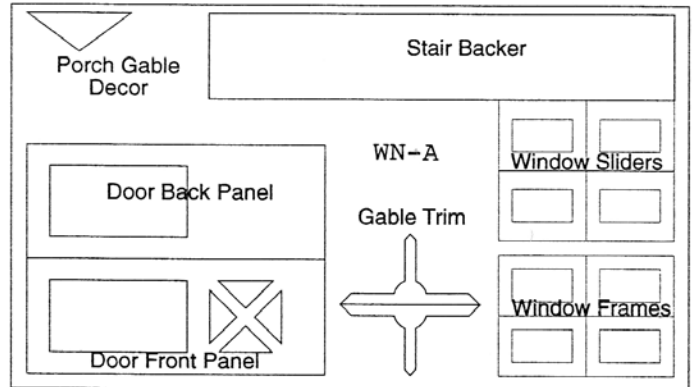
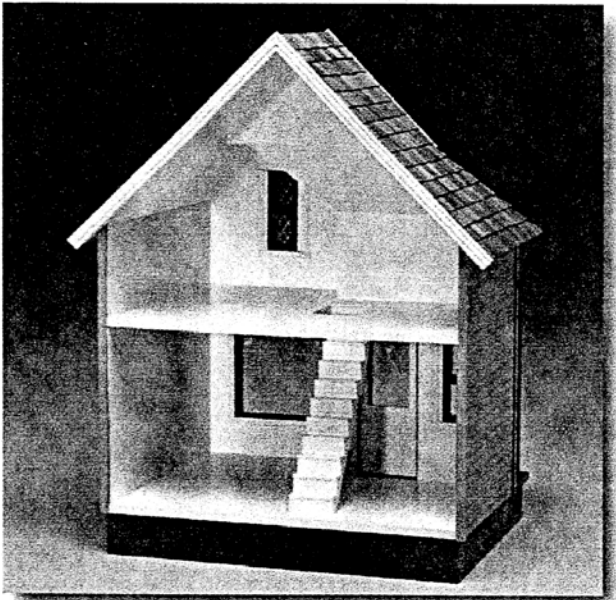
Final Trim 5-158

1. Using the box label as a guide, cut and position trim pieces on roof edges and gables. Two of the gable—WN-A trim pieces are pre-cut plywood. The remaining pieces can be cut from universal trim (5-3) and gable trim (5-158). Use the box photo as a guide.

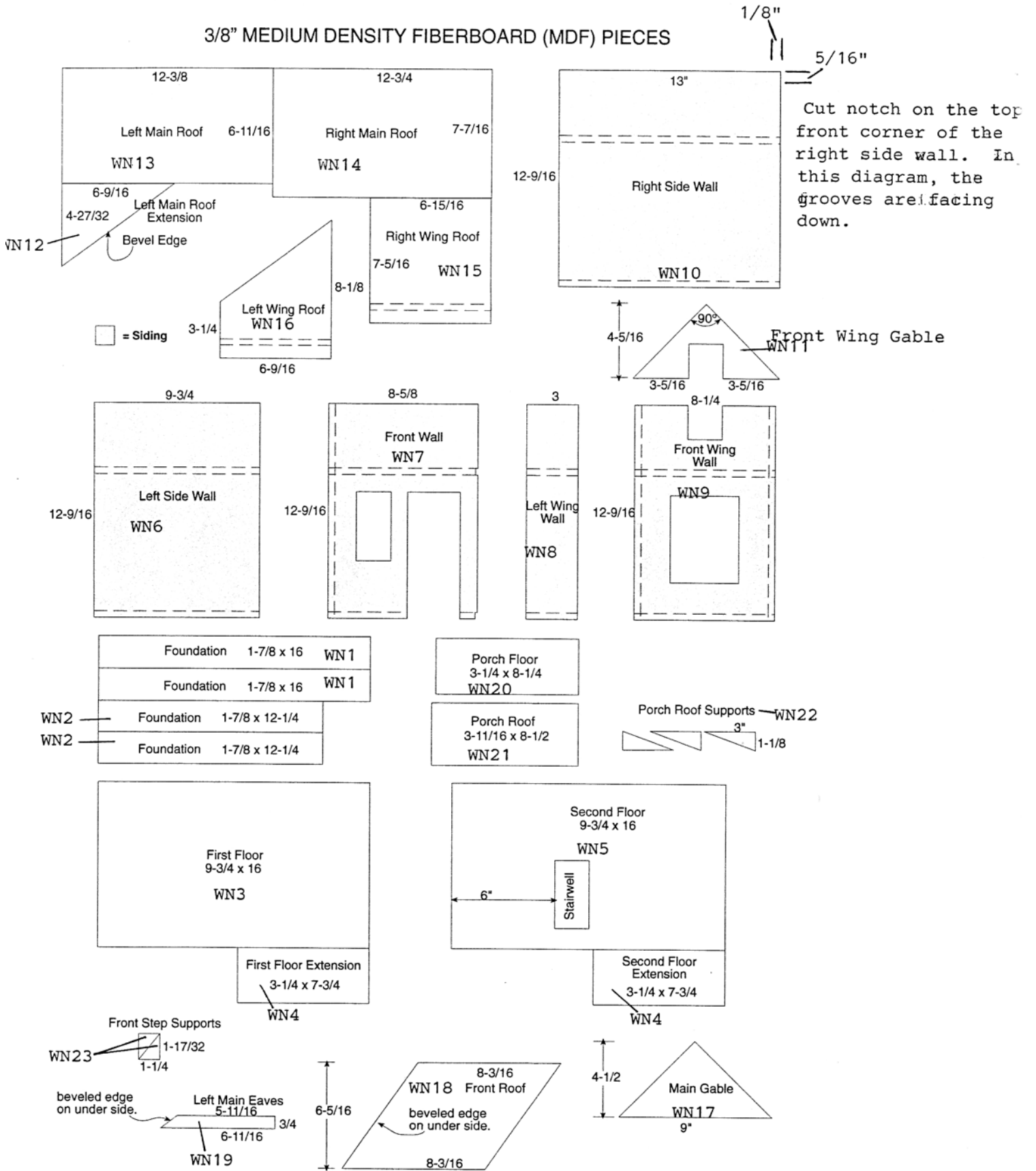
2. We have included a little bit of extra molding in the kit for those of you who want to add things that we didn't think of. Some people like to fill in the gaps at the top of the interior walls, between wall tops and underside of roof pieces.

Congratulations! Enjoy.

1/8" Plywood Pieces



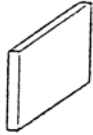
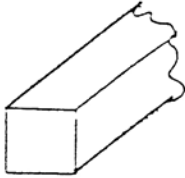

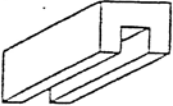
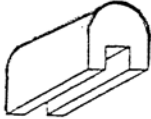
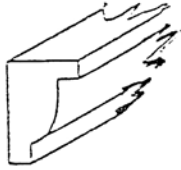

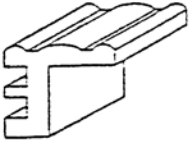

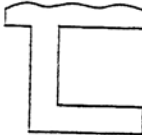



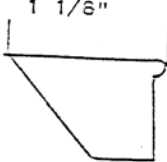
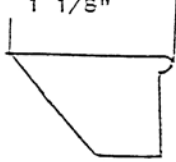

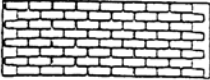


3/8" MEDIUM DENSITY FIBERBOARD (MDF) PIECES



WN168 WINSTON COTTAGE

INVENTORY LIST

TRIM PARTS LIST

<p>Part No. 5-3</p>  <p>Universal Trim</p>	<p>Part No. 5-5</p> <p>3/8"</p>  <p>3/8"</p>	<p>Part No. 5-8</p>  <p>Corner Molding</p>	
<p>Part No. 5-70</p>  <p>Porch Rail Bottom</p>	<p>Part No. 5-71</p>  <p>Porch Rail Top</p>	<p>Part No. 5-154</p>  <p>Window Cornice/Sills</p>	<p>Part No. 5-155</p>  <p>Small Gussets 3/8"</p>
<p>Part No. 5-156</p>  <p>Moving Window Molding</p>	<p>Part No. 5-158</p>  <p>Facia Trim</p>	<p>Part No. 5-160</p>  <p>Door/Window Molding</p>	<p>Part No. 6-2</p>  <p>1/8" Dowell</p>
<p>Part No. 6-17</p>  <p>Door Knobs</p>	<p>Part No. 6-18</p>  <p>Hinge Pins</p>	<p>Part No. 6-24</p> <p>1 1/8"</p>  <p>Steps @ 2"</p>	<p>Part No. 6-27</p> <p>1 1/8"</p>  <p>Step @ 5"</p>
<p>Part No. 5-150</p>  <p>Plain Shakes (Shingles)</p>	<p>Part No. 7-1</p>  <p>Brick Tape</p>	<p>Part No. 7-2</p>  <p>Brick Mix</p>	<p>(MDF) BL-42</p>  <p>1/4" x 3/8" MDF</p>