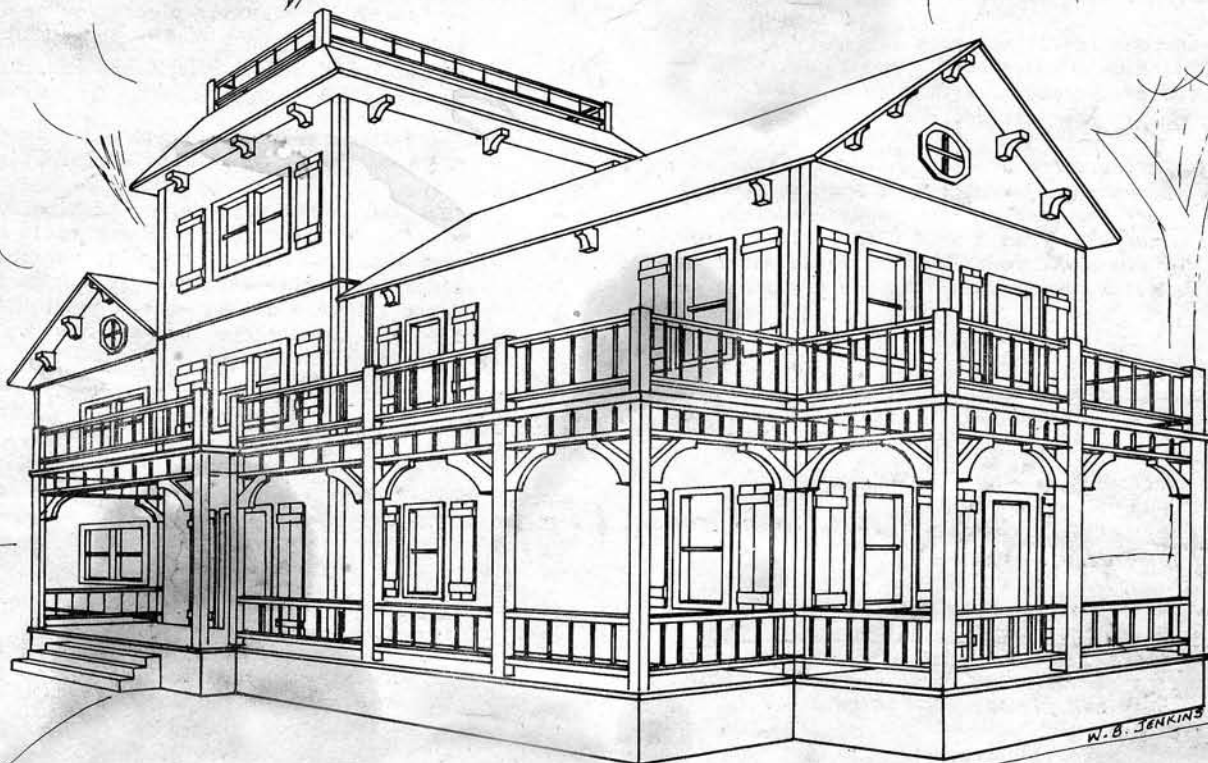


SERIAL NUMBER:

9951

Victorian Doll House



The above illustration is a design sketch of the doll house kit. It does not represent the actual assembly details of the finished house.

The Victorian House, as the architectural style is called, is typical of the large house of the last half of the nineteenth century. Our house is styled in the mid-period of the Victorian development. It is typical of the midwest victorian type having evolved, in part, from the plains farmhouse. It was a style that was unique to its period. The size served the large family which was common at that time. Its costs and gingerbread detail reflects an affluence that grew from a nineteenth century industrializing America. For the well-to-do who could afford this type of house, it was the age of gentle, gracious living. The Federal Income Tax was still several decades in the future. It was the house of the "Good Old-Days".

Our house is based on a real one that still stands in one of the far western suburbs of Chicago. It was built in the 1880's by a doctor who had been a carpenter at one time. The doctor made his fortune making artificial limbs during the Civil War. For a time, the house was later owned by the late Harold Gray, a cartoonist and creator of the "Little Orphan Annie" comic strip.

For us at Woodline Products, the design of this house has been a labor of love. We have tried to make the assembly as easy as possible. We hope that the completed house will give you many years of enjoyment in your miniature world of the "Good Old Days".

WOODLINE PRODUCTS 245 E. Adele

Villa Park, Ill. 60181

(312) 833-8521

GENERAL INSTRUCTIONS

In order to make the assembly as easy as possible, please follow these steps throughout the kit assembly.

1. Always fit the parts dry. If there is any adjusting (fitting) necessary do it NOW.
2. Take the pieces apart and then glue them.
3. Hold pieces in position using masking tape until the glue has set.

All major pieces have been supplied pre-cut. The parts list indicated where material has been provided for you to cut.

Best success in kit assembly is achieved by reading through the assembly steps and following with the pieces and referring to any drawings mentioned in the instructions.

The following items are not included in the kit: Glue (we recommend a white glue such as Elmers), an accurate tape measure for parts checking, masking tape (3/4" is a good size), hinge hardware for the attic roof, and finishing materials such as paint, stain, etc. If you are going to

paint the trim a color different from the siding, do it before you complete the main assembly steps. You will avoid having to do tedious trim painting where different colors come together.

The assembly of the doll house has been divided in several parts. When you begin each part check and identify all of the parts called for. Be very careful when doing this, some parts are similar in appearance, or vary in length a little. This checking takes time but it's worth it. You will recognize the parts and will know you have all pieces. Careful parts checking is one of the biggest secrets to a successful kit project. If any parts are missing, please let us know. Be sure to use the part number shown on the parts list and the serial number stamped on the front of this book.

For fastest service, please write to us directly for replacement of missing or defective parts.

In a kit of the size, a lot of time is spent waiting for glue to set or for paint to dry. We have designed the kit to group various assembly steps into related parts. If you do have room, Parts I thru V can be worked on simultaneously. The time to complete the assembly can be reduced a lot if this is done.

ASSEMBLY INSTRUCTIONS

PART I HOUSE FOUNDATION & FLOOR ASSEMBLIES

CHECK THE FOLLOWING PARTS:

- Foundation parts. Note that some of the pieces are the same length, but are notched differently. See the bottom of page 11.
- Flooring pieces. The first and second floor use identical pieces. The third floor is different.
- Foundation splice pieces.

YOU WILL NEED THE FOLLOWING:

- Masking tape
- White glue
- A clear, flat work area that is at least two feet by four feet.
- Tape measure
- Books. Use as weights while glue dries.
- Waxed paper.

Foundation Assembly

1. Set out pieces identified in figure 1. See note.
2. Assemble pieces dry to be sure of fit. If the fit is good, glue as follows:
3. Put glue on the splice end of piece 644-1 and join to 644-2. Similarly, glue 644-5 to 644-6. Hold the pieces in tight contact using strips of masking tape across the joint.
4. Glue the splicing blocks over the joints. Make sure the splicing block on the rear foundation strip is on the inside as shown in figure 1. Allow to set for 30 minutes.

5. Put glue on the side of the notches of two pieces 644-4 and one piece 644-9.
6. Place the mating foundation strips in the notches and press down until the tops of the two strips are even. Make sure that the positions of pieces 644-4 and 644-9 are not mixed up.
7. Glue the left and right foundation ends in place (644-3's). Use tape to hold the ends tight and to keep them lined up at the corners.
8. Glue the short front porch foundation in place (644-7).
9. Glue the long front porch foundation piece (644-8) in place. Make sure the left end of this is one inch from the corner. See detail in figure 1.
10. The porch stairs do not have to be glued in place at this time. Depending on how you plan to paint and finish the house, it may be convenient to glue the stairs in place after the house is completed.

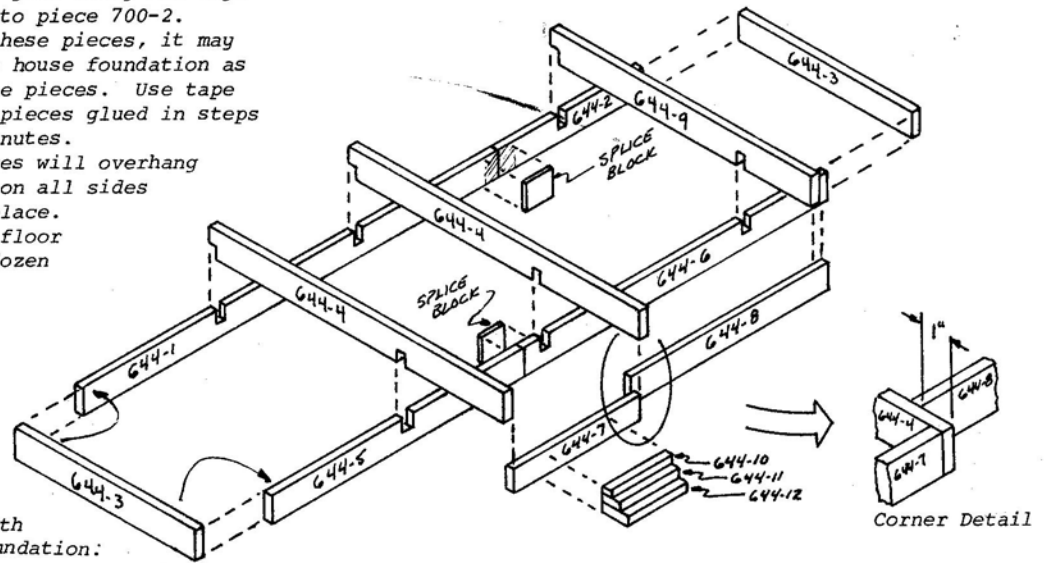
First Floor Deck

1. Locate the following pieces: 700-1, 700-2, 700-3, and 700-4 using the parts list dimensions and figure 1a. as a guide.
2. Run a thin bead of glue along the edge of piece 700-4 and glue to piece 700-3. Make sure left edges meet smoothly. Hold in place by hand on a smooth surface for a few minutes until the glue begins to set. Then carefully use tape across the joint.

First Floor Deck (Cont.)

Note: See bottom of page 11 for foundation piece dimensions.

- Similarly, run a bead of glue along the edge of piece 700-1 and glue to piece 700-2. Because of the size of these pieces, it may be convenient to use the house foundation as a support when gluing the pieces. Use tape on the seam. Allow the pieces glued in steps 2 and 3 to dry for 30 minutes.
- All the first floor pieces will overhang the foundation by 3/16" on all sides when they are glued in place.
- Before gluing the first floor pieces in place, get a dozen or so books to use as weights for the flooring while the glue is drying.



Exploded View of Foundation Assembly

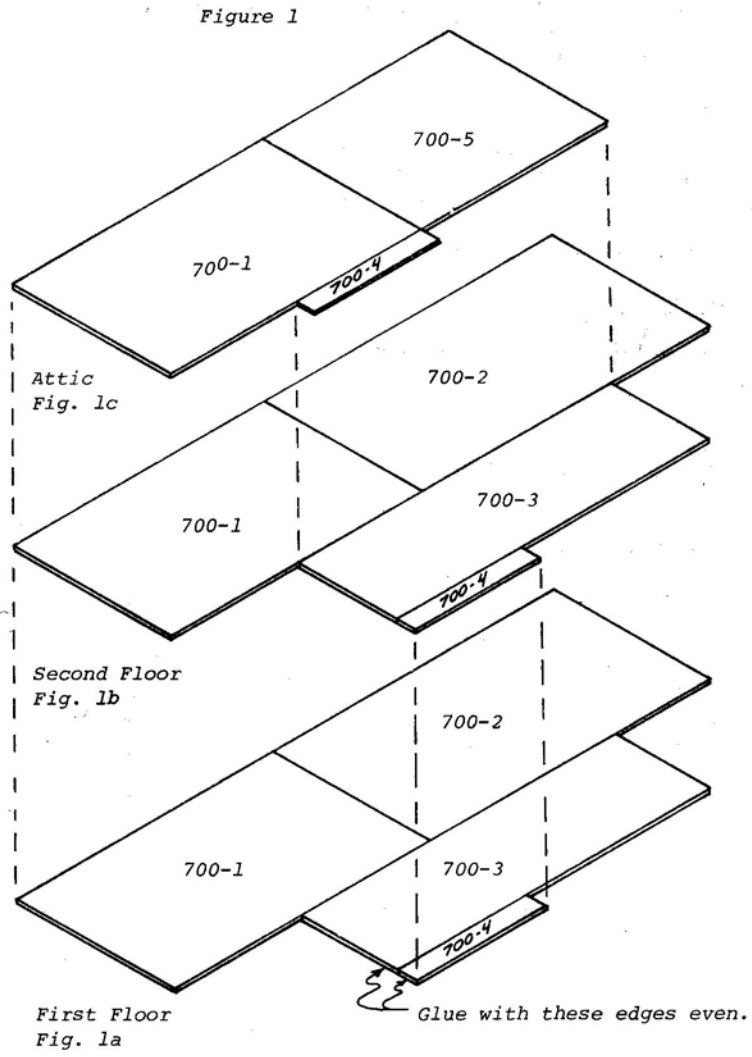
- Run a heavy bead of glue along the foundation top where contact will be made with the large glued together pieces, 700-1 and 700-2. Place the flooring in place, adjust for the 3/16" overhang and weight with books. Note: If the overhang is not exactly 3/16", adjust for an even overhang. Allow to dry.
- On the glued together pieces 700-3 and 700-4, note where the edge of this assembly will touch the edge of the flooring glued in step 6. Run a thin bead of glue along the edge where the pieces will mate. Run a heavy bead of glue on the foundation top and place this flooring in place. Adjust for 3/16" or even overhang. Use tape on mating floor seam where necessary and weight with books. Check for glue oozing.
- For maximum foundation strength, allow at least one hour for the glue to dry before handling or moving the foundation assembly.
- After this time remove all seam tape.

Second Floor Deck

- The deck for the second floor is assembled identically to the first floor deck.
- Locate the pieces for the second floor. They will be the same as the ones for the first floor.
- Following the order of the assembly steps for the first floor, assemble the second floor using the first floor as a pattern by laying the second floor pieces on top of the first floor. Be careful that glue from the second floor seams do not ooze onto the first floor deck. This can be avoided by running a strip of masking tape along the seams on first floor and by laying wax paper over the first floor.

Third Floor (Attic) Deck

- Locate pieces 700-1, 700-4, and 700-5.
- Again, using the first floor deck as a pattern, glue and tape the seams of the third floor pieces.



Floor Assemblies

PART II - WINDOWS, DOOR FRAMES & SHUTTERS

PARTS NEEDED:

--Window & door frame parts per parts list.

YOU WILL NEED THE FOLLOWING:

- Masking tape
- White glue
- Window mullion spacer

Assembly Steps - Single Windows

1. Using figure 2 as a guide, locate the parts for the single windows.
2. Glue one side (209-2) and top and bottom frame pieces (419-1) together.
3. Put glue on both ends of piece 400-1, the window mullion. Use the spacer provided to position this piece in place.
4. Glue the remaining side frame (209-2) in place. Use small pieces of tape if necessary to hold the frame in place.
5. Position the window mullion (400-1) halfway between the front and back of the side frames.
6. Following the above steps make ten more single windows.

Assembly Steps - Double Windows

1. The double windows are assembled similarly to the steps for the single window.
2. The illustration of figure 3 shows the window detail.
3. Make a total of 4 sets of double windows.

Door Frames

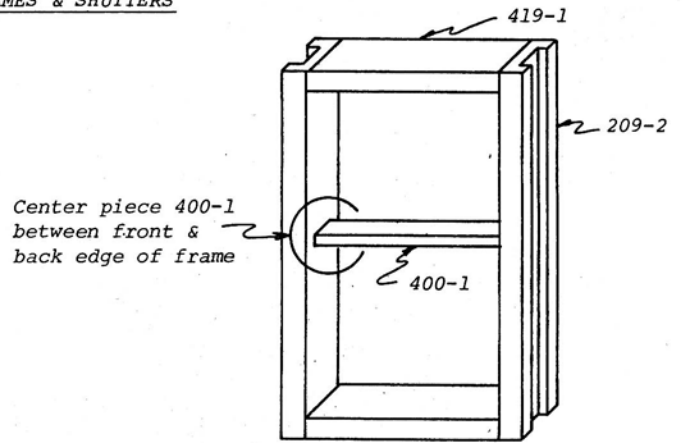
1. Assemble two door frames using fig. 4 as a guide.

Shutters

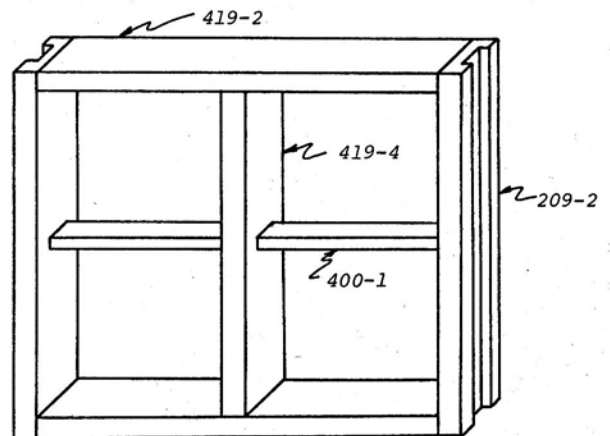
1. Fifteen sets of window shutters and two sets of door shutters are to be made using fig. 5 as a guide.

NOTE:

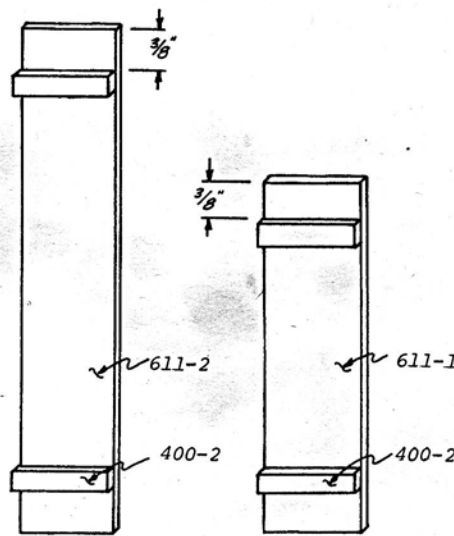
If the house siding and trim are going to be painted different colors the trim painting should be done at this time. Paint the shutters, window and door trim as well as the Wall Posts. Do not get paint in the wall post grooves; they must not get clogged with paint. Also paint the siding pieces at this time. Do not paint the top and bottom edges of the siding. The glue will not adhere as well to paint as it will to bare wood.



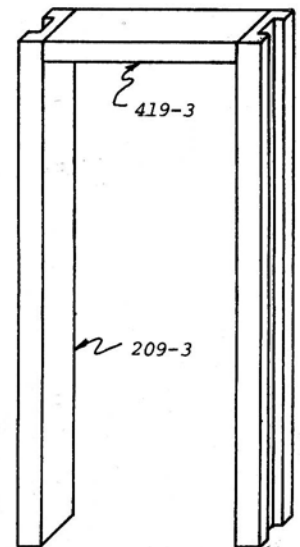
Single Window
(11 Req'd)
Figure 2



Double Window
(4 Req'd)
Figure 3



Door Shutter (4 req'd)
Window Shutter (30 req'd)
Figure 5



Door Frame
Figure 4

PART III - SIDING ASSEMBLY

PARTS NEEDED:

- All siding parts in the appropriate bag.
- If the bag marked "Wall Posts" was not opened in part II, do so at this time and check in the parts with the parts list.

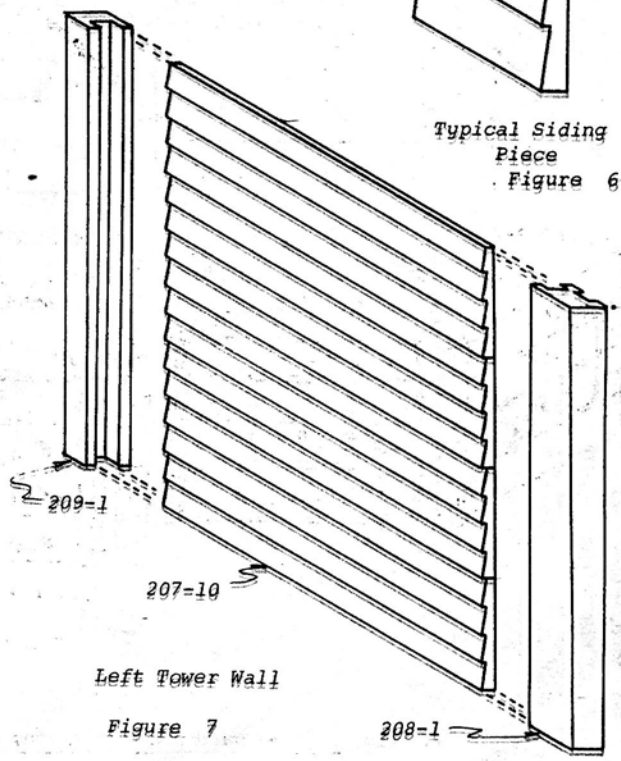
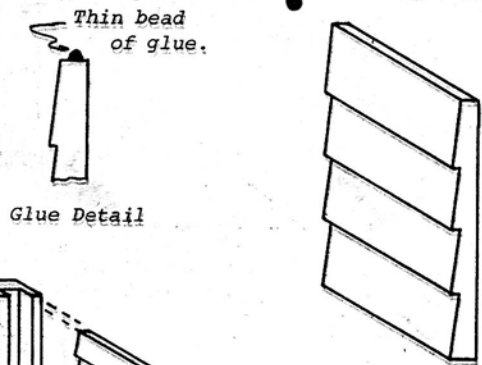
YOU WILL NEED THE FOLLOWING:

- White glue
- Masking tape
- A clear, flat area about two feet by four feet.
- The set of assembled doors and windows.
- Rag for wiping off excess glue.

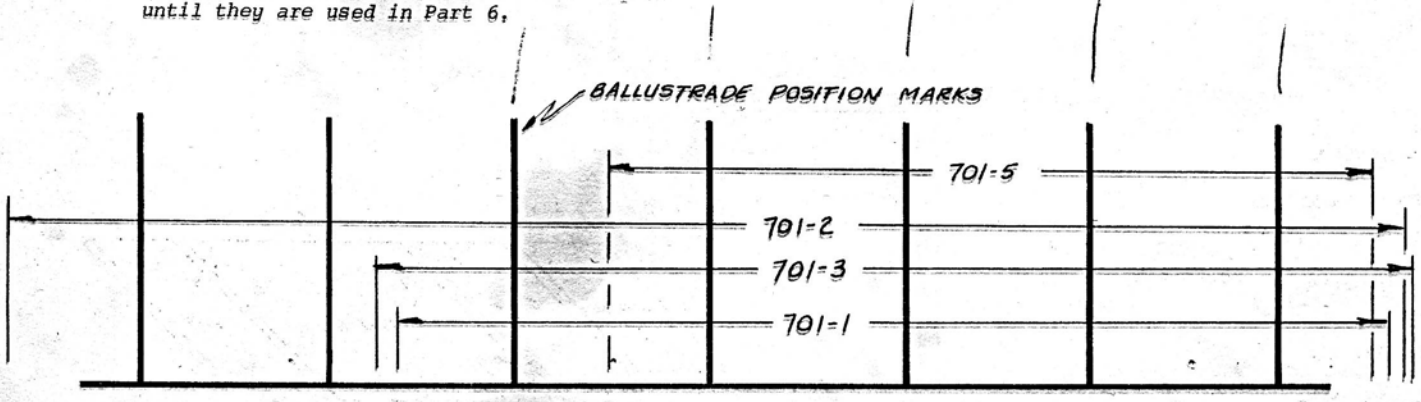
General Assembly Steps - Siding

The assembly details will be given for one wall section or "sub-assembly". Because the rest of the wall sections are assembled in a similar manner, detailed instructions for each unit will not be given.

1. Locate four 207-10 pieces.
2. Note in figure 6 the way the siding is designed. Make sure that none of the siding pieces are glued upside down.
3. Referring to figure 7, glue the four 207-10 pieces by running a thin bead of glue along the top edge of a siding piece. Then join two 207-10 pieces together. Use tape if necessary.
4. Glue the third and fourth 207-10 pieces in a similar manner. Make sure that the ends of the pieces are very carefully lined up. Then glue the corner post (208-1) and end post (209-1) in place as shown. Make sure the tops of the posts are even with the siding and that the siding is tight in the grooves of the posts. Set aside to dry.
5. Refer to figure 8. This shows the pieces required for each wall sub-assembly.
6. Where a window or door is required, dry fit the wall and window or door parts. If the fit is good, glue the parts.
7. Make up all of the wall sub-assemblies required per figure 8.
8. Set all sub-assemblies aside in a safe place until they are used in Part 6.



Typical Siding Piece
Figure 6



Railing & Ballustrade
Gluing pattern

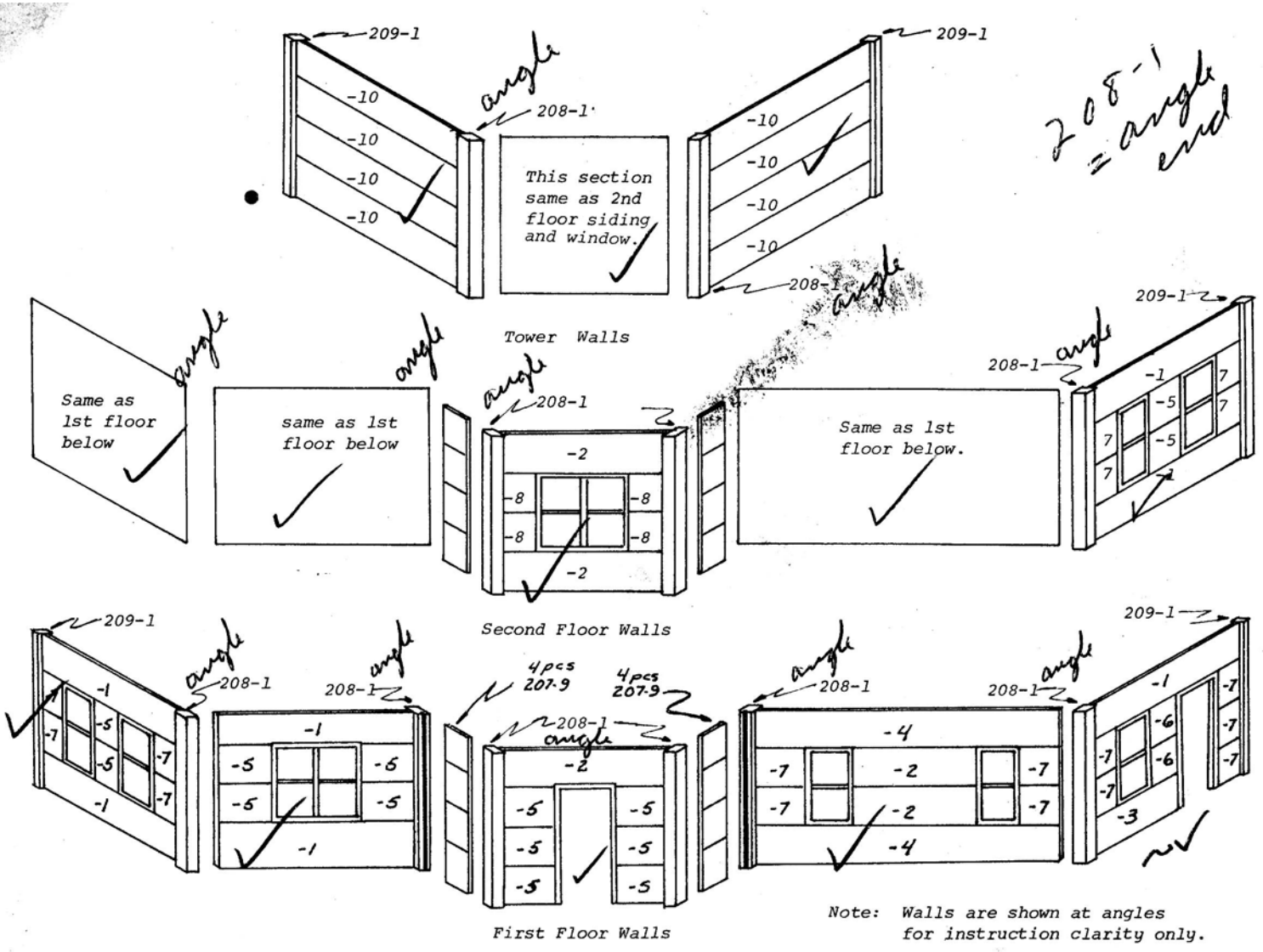


Figure 8

- Note: 1. Check to be sure that no siding pieces are glued in upside down.
 2. Some siding pieces are a compromise length. The position of these pieces may have to be adjusted slightly so that the ends are covered by the grooves in the window frames and/or the wall posts.

PART IV - TOWER ROOF

PARTS NEEDED:

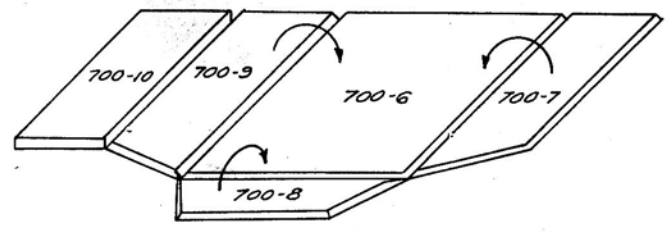
-- "Tower Roof" parts,
 Check in the parts.

YOU WILL NEED THE FOLLOWING:

- White glue
- Masking tape

Assembly steps:

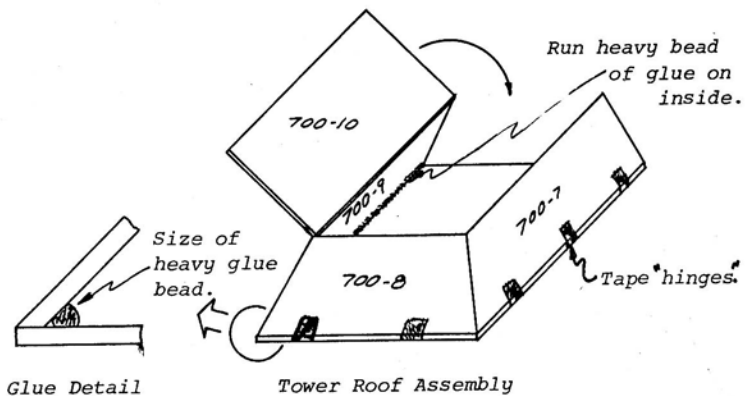
1. Lay out the base (attic floor 700-6), three sloped roof (700-7, 8 & 9) and top flat roof pieces (700-10) as shown in figure 9.
2. Using masking tape, fit the pieces together dry to check the fit. Some adjustment may be necessary for best fit.



Tower Roof Layout

Figure 9

3. After the fit has been verified carefully dis-assemble the pieces, leaving the masking tape in place to act as "hinges".
4. Run "thin" beads of glue along all surfaces where the pieces meet.
5. Bring all pieces into place except piece 700-10 and secure with additional tape if necessary.
6. Run a heavy bead along the seam where the mansard roof pieces (700-7, 8 & 9) join the tower attic floor (700-6). Refer to Fig. 10A for size of heavy bead of glue.
7. After glue "firms", but before it dries, glue the tower roof (700-10) into place. See figure 10.



Glue Detail

Tower Roof Assembly

Figure 10a

Figure 10

PART V - RAILING ASSEMBLIES

PARTS NEEDED:

--All parts from the bag marked "Porch Parts".

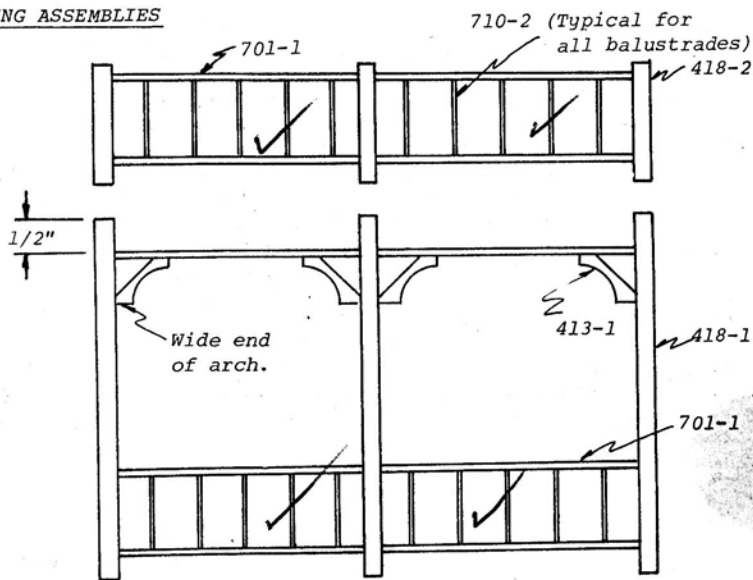
YOU WILL NEED THE FOLLOWING:

--White glue

--1/2" x 1/2" assembly spacer

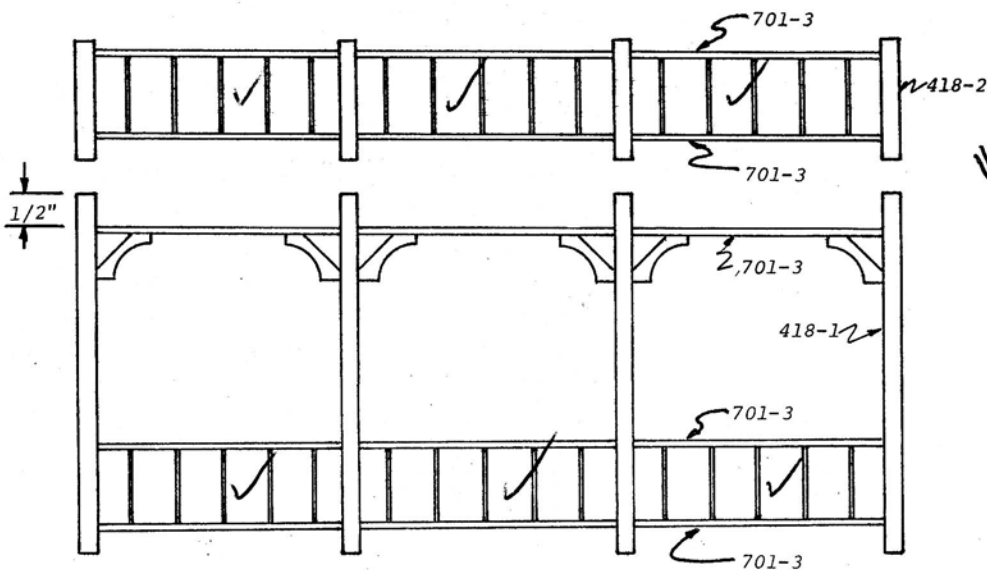
Assembly Steps:

1. The various railings will be assembled in two steps. First, the individual railings will be assembled, then they will be glued to the posts to make complete units that will consist of the railing posts, railing assemblies, and trellis assemblies.
2. The method for gluing the balustrades will be typical. The ends of balustrades will be touched to a "pool" of white glue that you will run onto a sheet of paper. The pool of glue should be about the size of a half dollar.



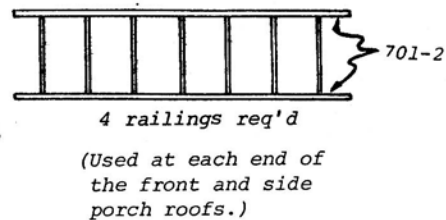
Side Porch and Roof Railing Group

Figure 11

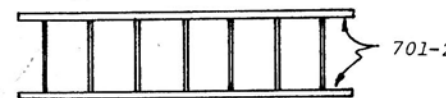


Front Porch Roof & Railing Group

Figure 12



5 porch railings req'd
(2 used for widows walk)



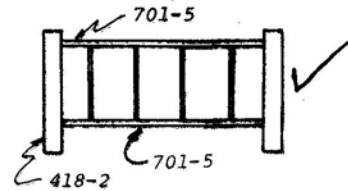
Porch Ends & Roof Railings

Figure 13a

PART V (Cont.)

Railing Assemblies (Cont.)

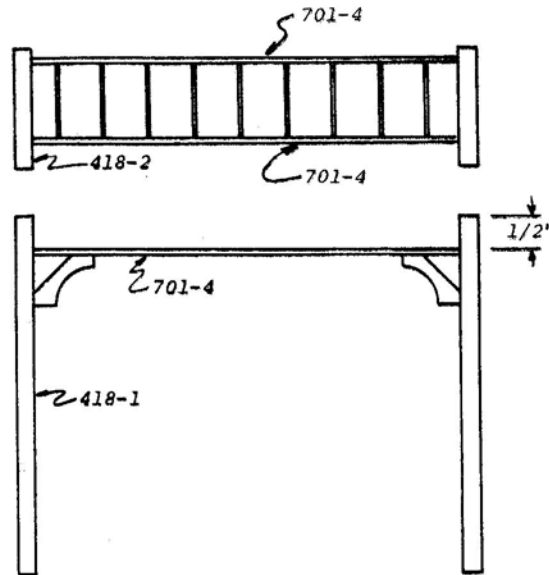
After the balustrade ends are touched with glue they will be placed in position against the bottom railing. A spacing pattern & glue support has been provided to help you place the balustrades evenly. Then place the top railings in place. Carefully press the top and bottom railings together for a minute until the glue begins to set. Then set the assembly aside to dry.



Widows Walk Railing
(2 Req'd)
Figure 13b

Note: The trellis balustrades as shown on the box cover photo are optional.

3. Assemble all the porch railings, roof railings and trellises (if used) using the above assembly method and figures 11 through 14 as a guide. The bottom railing should be 1/2" from the porch floor. Use the 1/2" x 1/2" spacer to help position the railings.
4. After the various units are dry, it is easiest to paint them before completing the porch assemblies.
5. If the trellises are used, be sure that the tops of the trellis are in line with the top of the posts.
6. Note figure 11 which shows how the decorative arches are to be positioned when they are glued. The wide end of the arch goes to the bottom.
7. Glue each arch in place on the railing assemblies. Some of the arches will only be able to be glued into place during the final assembly steps and have been provided in the parts bag for Part VII.



Stair Trellis & Roof Railing Group

Figure 14

PART VI - MAIN HOUSE ASSEMBLY

PARTS NEEDED:

- Floor Assemblies from Part I
- Siding assemblies from Part III
- Tower roof assembly from Part IV
- Material per parts list

YOU WILL NEED THE FOLLOWING:

- White glue
- Cloth or paper for wiping excess glue
- Masking tape
- Tape measure

Assembly Steps:

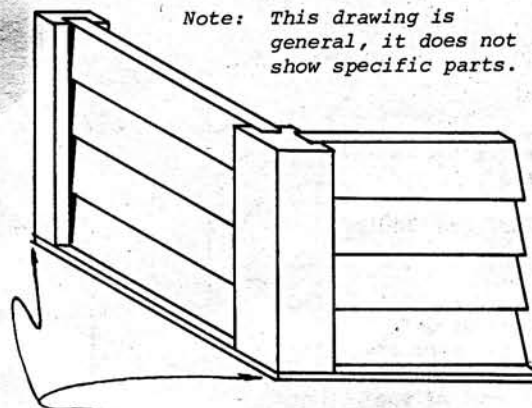
In this part, the various wall sections, floors and roofs will be put together. At this point, you have gained a lot of experience in working with the various doll house parts, instructions and illustrations. The result is that you are able to work with greater confidence. Some of the following steps will take advantage of this and will have you rely more on the illustrations to guide you and less on instruction text. When moving the house, be sure to hold on under the bottom edge of the foundation. If it is carried by holding on elsewhere, parts of the house may be broken or pulled loose.

PART VI (Cont.)

First & Second Floors

1. Using the various illustrations, and figure 8, identify the wall sections for the first floor.
2. Starting with the first floor left wall, run a bead of glue along the bottom edge of the wall assembly. Do the same with the left front wall section. Also, put glue in the groove of the corner post.
3. Join the two wall sections at the corner and position the sections on the floor. The outside edges of the corner post should be even with the outside edge of the floor as shown in figure 15.
4. Proceed with the other wall sections similarly.
5. After all the first walls are in place, check the dimension from outside of the wall posts. It should be 39-7/8". If not, adjust the wall position accordingly. If this is not done, the various porch railings will not fit properly and will have to be trimmed.

6. After the first floor walls are in place and after the glue has had a chance to set, run a heavy bead of glue (See fig 16) along all of the inside bottom walls where they meet the floor. The glue will dry clear and will make a strong bond.
7. Run a bead of glue along the top edge of the first floor wall.
8. Put the second floor in place and line up even with the corner & end posts. The inside wall partitions (700-16) should be used to temporarily support the 1st and 2nd floors until the glue dries. One partition for each floor should be under a floor seam.
9. Build the second floor and tower room walls using the above instructions as a guide.



Note: This drawing is general, it does not show specific parts.

Corner and end post should be even with floor.

Wall Position Detail

Figure 15

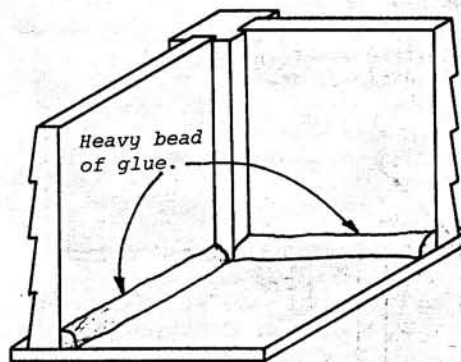
Tower Assembly

Glue the tower roof in place. Position the roof so that the overhang is equal on the right and left sides and front to back. The back edges of the roof and tower room walls should be even with each other. Allow the glue to dry for several hours.

Roof Assemblies

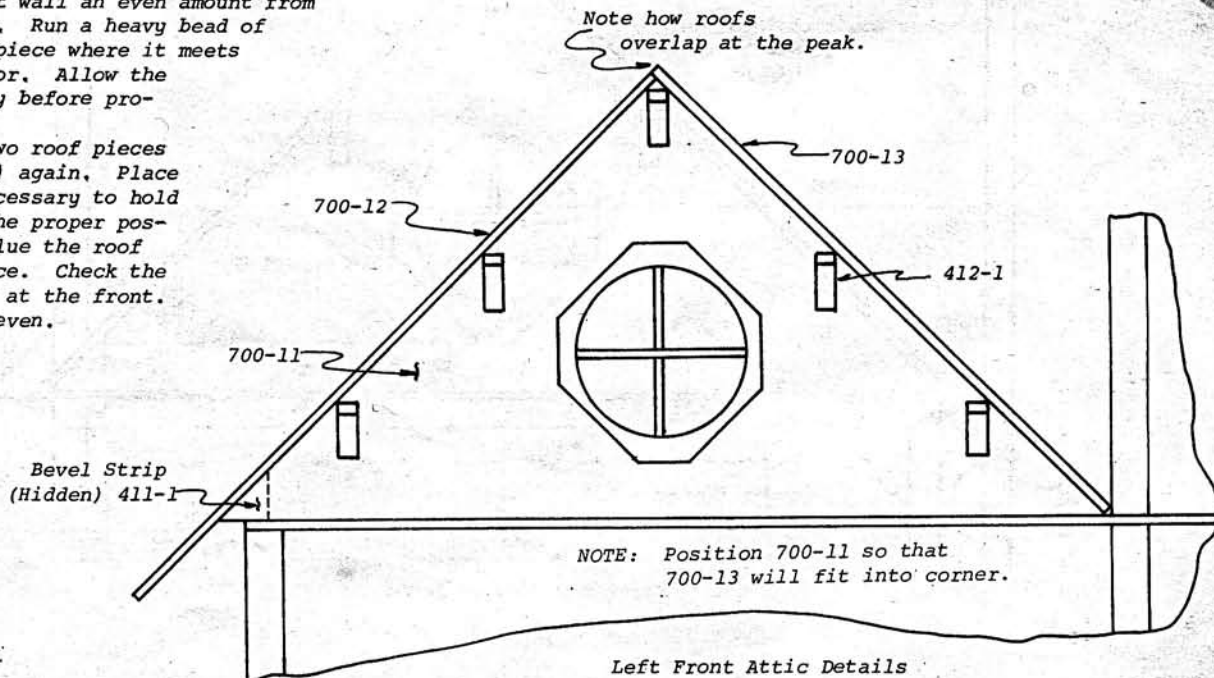
Refer to figure 17 for details of the left roof. (Looking from front of house).

1. Select a triangular wall front (700-11) and glue to the front edge of the attic floor, allow space for roof piece 700-13 to fit the way it is shown in figure 17, dry fit 700-12 & 700-13 as check. Run a heavy bead of glue at the seam.
2. Note that this wall front overhangs the left edge. Also, see note on figure 17.
3. Glue the triangular shaped wood strip (Piece No. 411-1) to the attic floor and the wall front. Make sure that this strip overhangs the left wall an even amount from front to back. Run a heavy bead of glue on this piece where it meets the attic floor. Allow the pieces to dry before proceeding.
4. Dry fit the two roof pieces (700-12 & -13) again. Place tape where necessary to hold the roof in the proper position. Then glue the roof pieces in place. Check the roof overhang at the front. It should be even.



General detail showing heavy bead of glue applied to wall and floor joint.

Figure 16



NOTE: Position 700-11 so that 700-13 will fit into corner.

Left Front Attic Details

(9)

Figure 17

PART VI (Cont.)

Refer to figure 18 for details of the right roof.

1. Refer to fig. 19. Select two triangular wall ends (700-11).
2. Glue one piece at each end of the right attic floor with the tips of the triangular ends even with front edge of the attic floor.
3. Glue the front roof in place.
4. Mount the hinges (not included) in place.
5. Check the overhang of the roof to be sure it is even. Run a heavy bead of glue along the inside edge of each triangular piece at the attic floor.

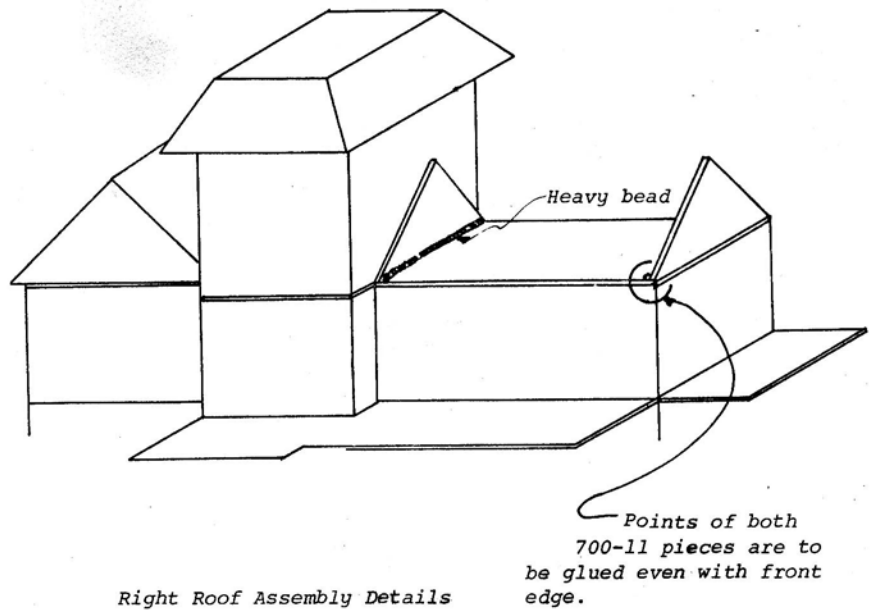


Figure 19

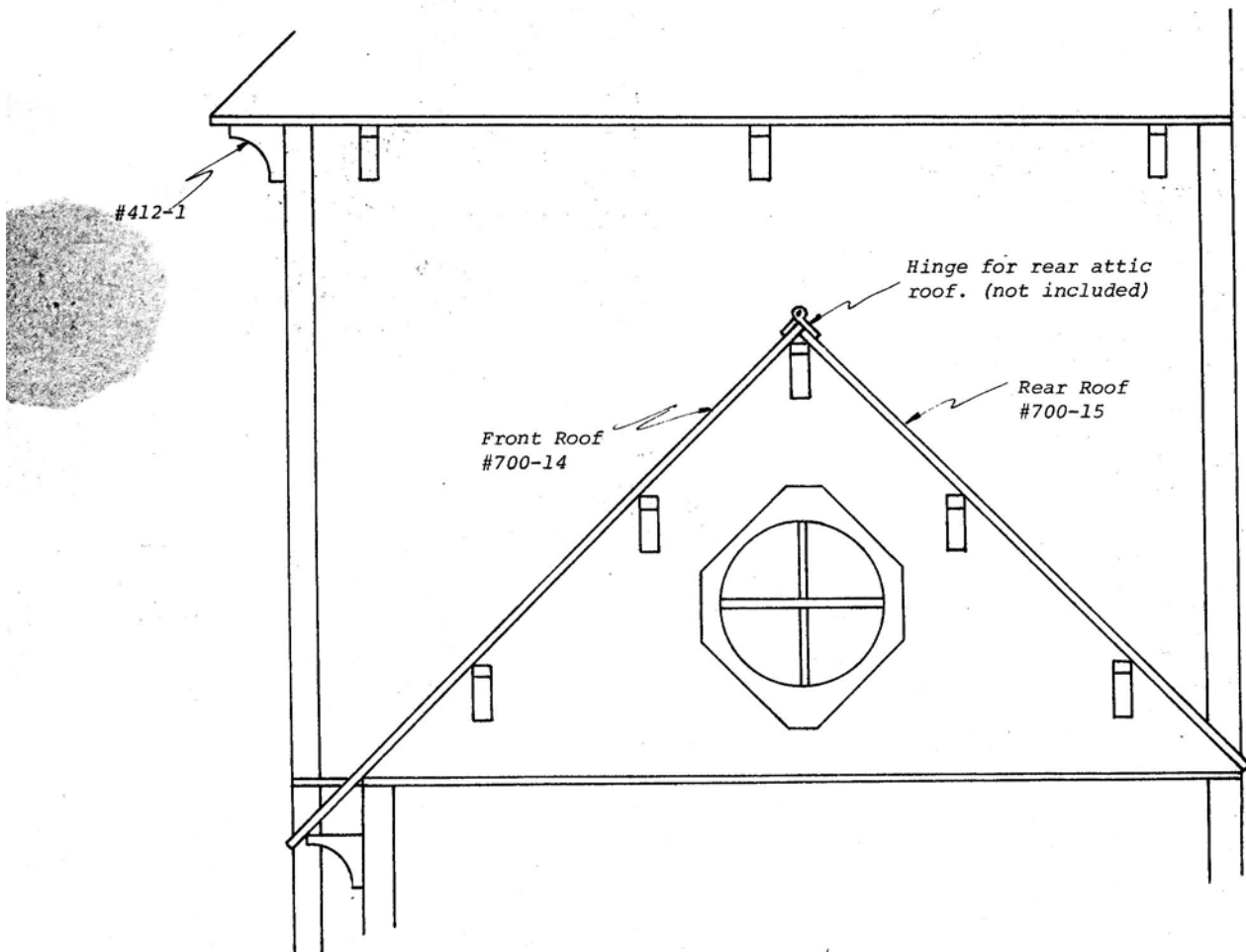


Figure 18

PART VII - FINAL ASSEMBLY

PARTS NEEDED:

- The parts in the Gingerbread Trim bag.
- Porch railings assembled in Part V.

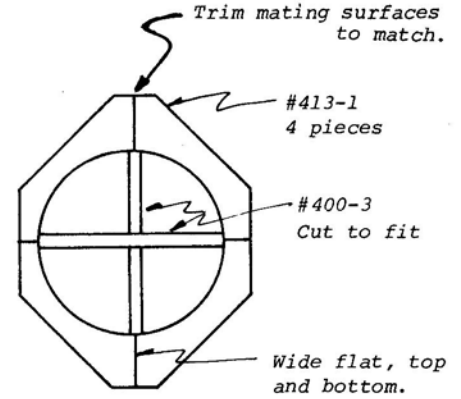
The house is now basically completed. The final assembly steps are those necessary to put the finishing decorative touches on the house. As in part VI, most of the instructions will depend on your using the drawings as a guide.

Gingerbread Trim

1. Refer to fig. 20. Make the two rose windows using four large arches (413-1). Notice that the ends of these arches are a little different. When the ends are properly matched, the outside shape of the assembled rose window is a slightly oblong diamond shape.
2. Cut the 1/8" x 1/4" strips to fit the window.
3. Glue the windows in place on the center of the end walls with the long part of the diamond shape set vertically. Use figures 17 & 18 as a guide for placing the rose windows.
4. Other trim (412-1 Cove) should be glued in place using Figures 17 & 18 as a guide. As a correction, the trim for the roof overhangs should be vertical as shown in figures 17 & 18. Also, on the left roof, only five arches per overhang are provided.

Porch & Roof Railings

Glue first floor shutters in place before the railings are installed. The porch railings should be glued in place after the porch floor and roof have been painted or otherwise finished. Plan to do the porches in one sitting. This will allow you to make slight position adjustments before the glue dries.



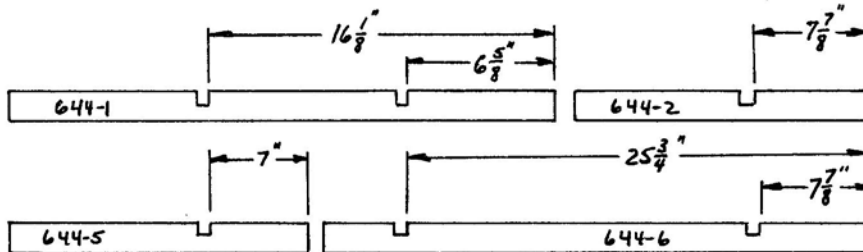
ROSE WINDOW
(2 Req'd)

Figure 20

1. Start with the side porch and glue the double railing assembly in place. Be sure to put touches of glue on the top of each trellis.
2. Put glue on the ends of the trellis & railings for the front end of the side porch and glue in place. Gently press the railings together at the corner post to bring the glued joints in tight against the house and the corner post.
3. Glue the trim arches in place below the trellis. Be sure that you keep the wide & small flats in the right position. Refer back to figure 11 to see the correct placement.
4. The front porch triple railing assembly and right end railing and trellis should be glued in place using steps 1, 2 and 3 above as a guide.
5. Similarly, glue the left porch end and porch stair trellis in place.
6. The porch roof and widows walk railings are glued in place using the cover photo as a guide.

This completes the assembly of your miniature house. We hope that you have enjoyed making it, and that completing the inside will be just as much fun.

Use the following dimensions to help you identify the foundation pieces:



PARTS LIST

Note: Actual parts dimensions may vary.

PART I - FOUNDATION & FLOORING

Foundation Pieces - 3/8 x 1-1/2" Solid stock

Part No.	Qty.	Size
644-1	1	1-7/8" x 28-1/4"
644-2	1	" x 19-1/8"
644-3	2	" x 10-11/16"
644-4	2	" x 20-3/8"
644-5	1	" x 19-1/8"
644-6	1	" x 28-1/4"
644-7	1	" x 9-3/16"
644-8	1	" x 17-7/8"
644-9	1	" x 18-7/8"
644-10	1	5/8"H x 5-1/8"L
644-11	1	1-1/4"H x 5-1/8"L
644-12	1	1-7/8"H x 5-1/8"L
--	2	1/8" x 1-1/2" x 1-7/8" Plywood splice

Flooring - 1/8" Smooth hardboard

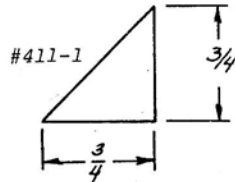
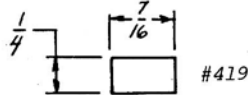
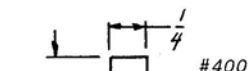
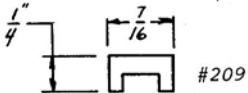
700-1	3	11-7/8" x 21-9/16"
700-2	2	11-7/8" x 26-3/16"
700-3	2	7-7/8" x 28-1/4"
700-4	3	1" x 10-3/8"
700-5	1	11-7/8" x 18-5/16"

PART II - WINDOW & DOOR FRAMES & SHUTTERS

209-2	30	1/4" x 7/16" x 4-15/32L
209-3	4	" x " x 6-3/4"L
400-1	19	1/8" x 1/4" x 2-1/16"L
400-2	68	" x " x 1-1/16"L
419-1	22	1/4" x 7/16" x 2-1/16"L
419-2	8	" x " x 4-3/8" L
419-3	2	" x " x 2-21/32"L
419-4	4	" x " x 3-31/32"L
611-1	30	1/8" x 1/2" x 4-1/2" L
611-2	4	" x " x 6-3/4" L
644-13	1	1/2 x 1-7/16 x 1-7/8" (Approx.) Spacer -

PART III - SIDING

207-1	11	11-1/4" Long
207-2	9	9-9/16"
207-3	1	6-5/8"
207-4	4	17-1/2"
207-5	20	3-1/4"
207-6	2	2-5/8"
207-7	25	1-21/32"
207-8	8	2-3/8"
207-9	16	5/8"
207-10	8	12-1/4"
208-1	14	1/2" x 1/2" x 9"
209-1	6	1/4" x 7/16" x 9"



PART IV - TOWER ROOF - All pieces are 1/8" smooth hardboard

Part No.	Qty.	Size
700-6	1	1/8" x 12-3/8" x 13-7/8"
700-7	1	" x 5-1/8" x 13-7/8"
700-8	1	" x 5-1/8" x 12-3/8"
700-9	1	" x 5-1/8" x 13-7/8"
700-10	1	" x 5-1/8" x 10-1/8"

(Approx.)

PART V - RAILING ASSEMBLIES

701-1	10	1/8" x 3/8" x 5-1/8"
701-2	21	" x " x 7-1/4"
701-3	15	" x " x 5-7/16"
701-4	3	" x " x 9-3/8"
701-5	4	" x " x 4"
418-1	9	1/2" x 1/2" x 9"
418-2	13	" x " x 2-1/4"
710-2	130	" dia. x 1-1/4"
413-1	12	11/16 x 2-1/4" arch Ballustrade spacing guide: Printed on Page 5.
418-5	1	1/2" x 1/2" x 3" (Approx.) Railing assembly spacer

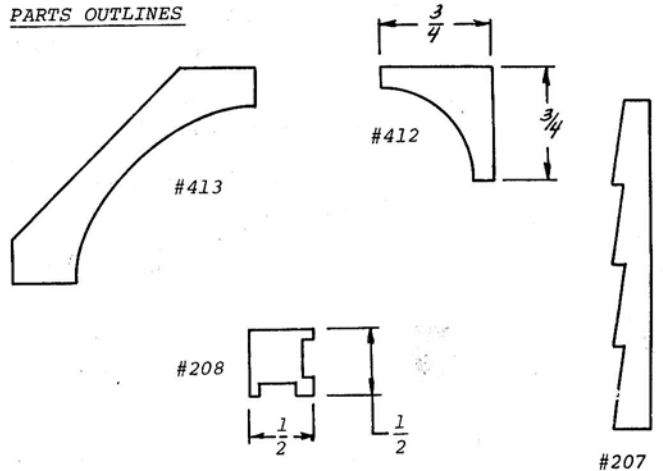
PART VI - MAIN HOUSE ASSEMBLY

411-1	1	3/4" x 3/4" x 11-5/8"
700-11	3	1/8" x 5-7/8" x 11-7/8" Triangles
700-12	1	1/8" x 10" x 12-7/8"
700-13	1	" x 8-1/2" x 12-7/8"
700-14	1	" x 10" x 18-7/8"
700-15	1	" x 8-1/2" x 18-7/8"
700-16	4	" x 7-7/8" x 9" Hardboard

PART VII - FINAL ASSEMBLY

412-1	22	3/4" x 3/4" trim
413-1	14	11/16 x 2-1/4"
400-3	2	1/8" x 1/4" x 5-1/4", cut to fit

PARTS OUTLINES



Woodline Products'

THE EUCLID ESTATES

- All wood & hardboard parts
- Scaled 1" equals 1'
- All major parts pre-cut to size
- Overall completed size: 43" wide x 37" high x 31" deep
- 10 rooms plus large attic and tower room
- Simulated stained glass windows where shown
- Realistic wood staircase
- Cast decorative trim
- Composition roof shingles
- Detailed, illustrated instruction book